

NOLA BRASS DECK MOUNTED WHITE SINGLE HANDLE KITCHEN FAUCET INSTALLATION INSTRUCTIONS



BEFORE YOU BEGIN

Before you begin, please read the installation instructions below. Observe all local building and safety codes.

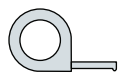
Unpack and inspect the items for any shipping damages. If you find damages, do not install.

Please note all products must be installed by a professional and certified plumber otherwise warranty might be voided.

POSSIBLE TOOLS REQUIRED*



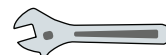
Plumbers Tape



Tape Measure



Level



Adjustable Wrench



Hex Wrench



Thread Sealant



Drill



Pencil or Marker



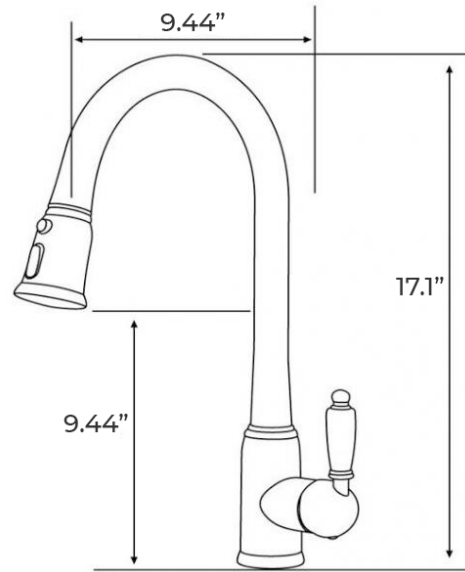
Screwdriver

*not included

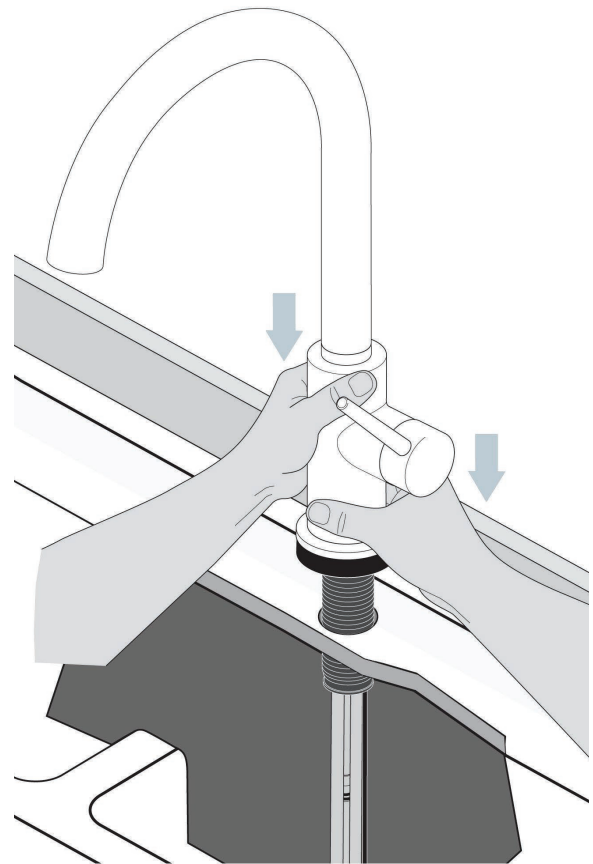
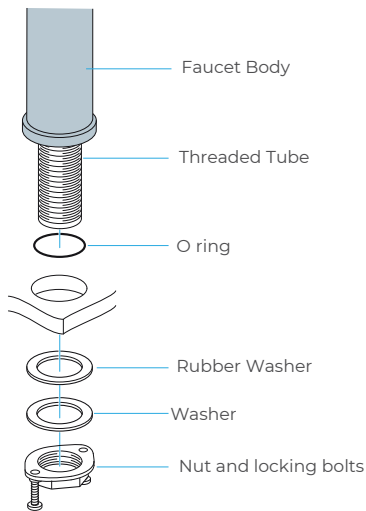
Technical Information

Spray Type : Pull Out
 Style : Single Holder Single Hole
 Type : Ceramic Plate Spool
 Valve Core Material : Ceramic
 Number of Holes for Installation : Single Hole
 Feature : Thermostatic Faucets
 Installation Type : Deck Mounted
 Material : Brass
 Rotatable : Yes
 Surface Finishing : Painted
 Style : Contemporary
 Surface Finishing : Painted
 Flow Rate: Maximum 1.8 GPM
 Aerator Included: Minimum .5 GPM
 Water Pressure: 0. 60. 05 MPa

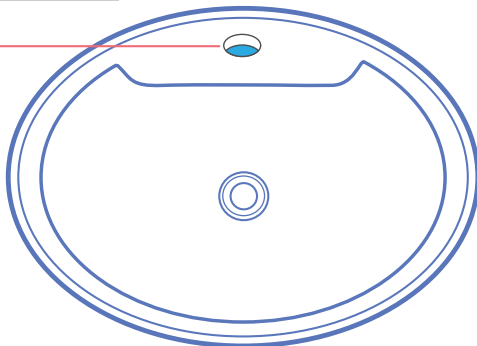
Faucet Size (In inches)


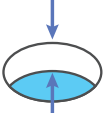


Faucet Deck Mount Installation



Hole Size Chart

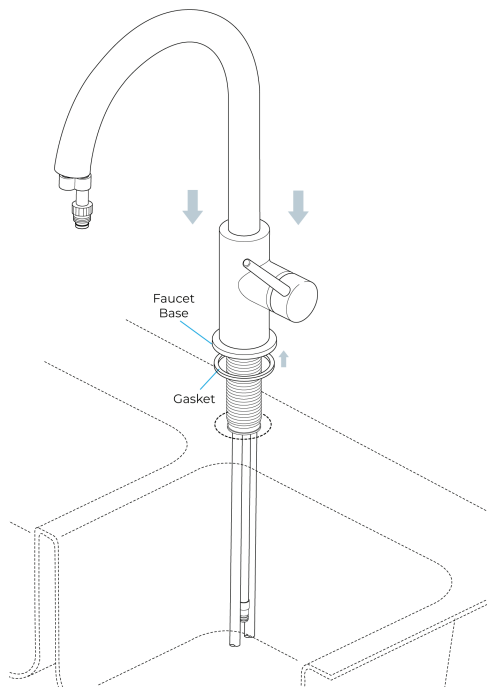


<p>Pre-drilled hole size requirements:</p>  <p>Min: 1.26"/32mm - Max: 1.38"/35mm</p>	<p>Max counter top thickness without deck plate:</p>  <p>1.38"/35mm</p>
--	---

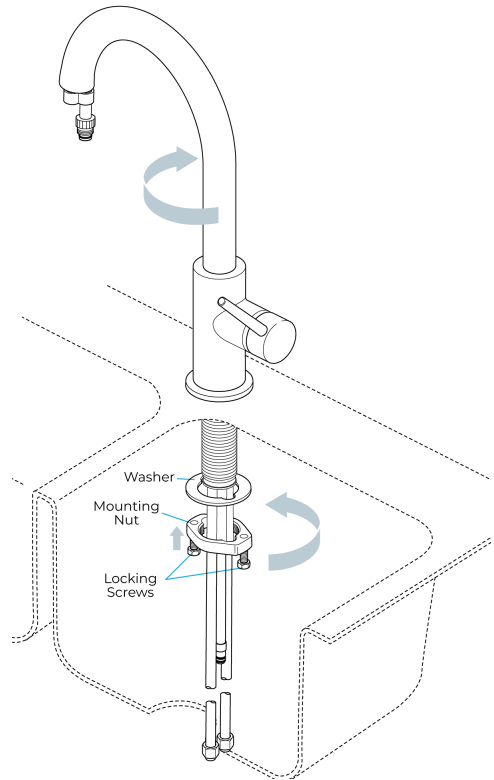
All dimensions and specifications are nominal and may vary. Use actual products for accuracy in critical situations.

Installation Instructions

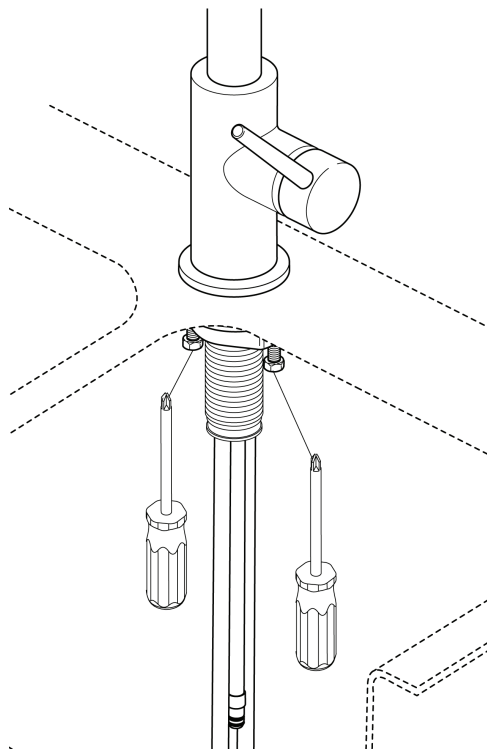
Step 1:



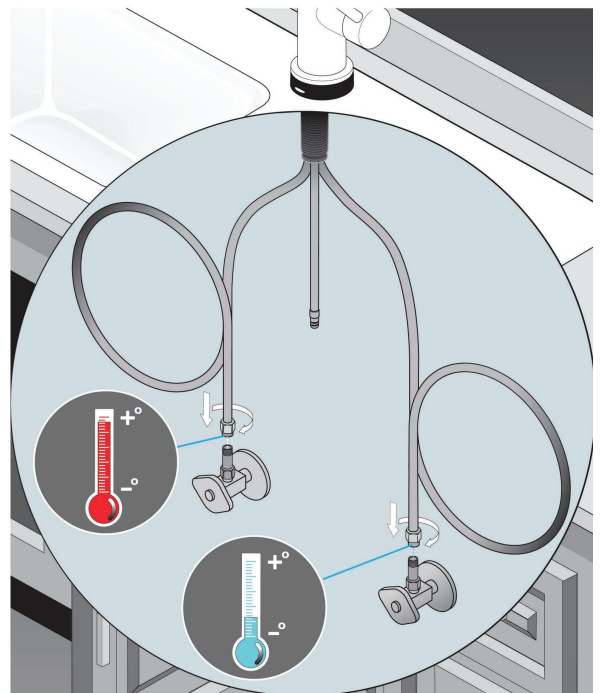
Step 2:



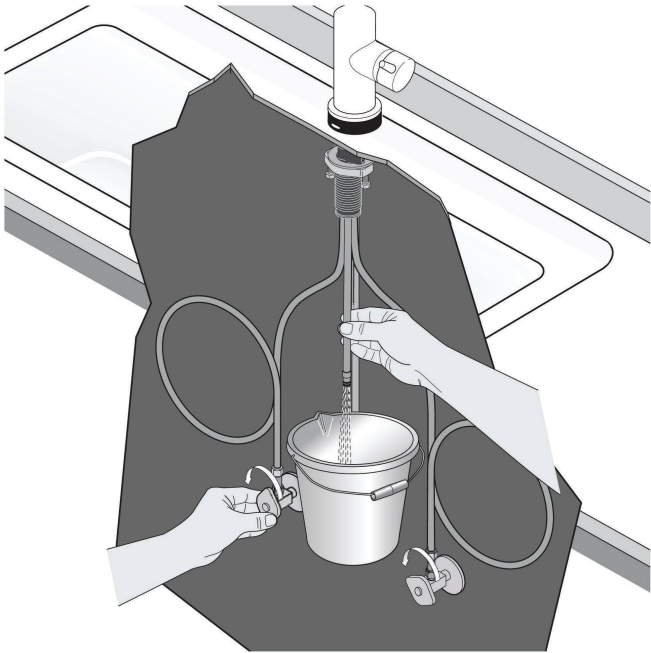
Step 3:



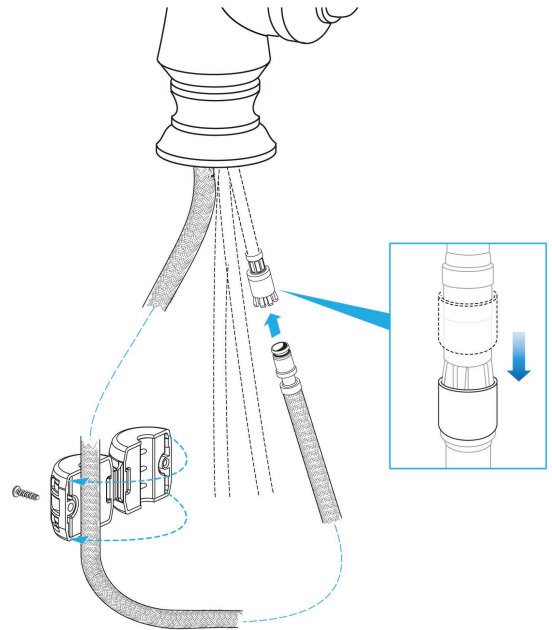
Step 4:



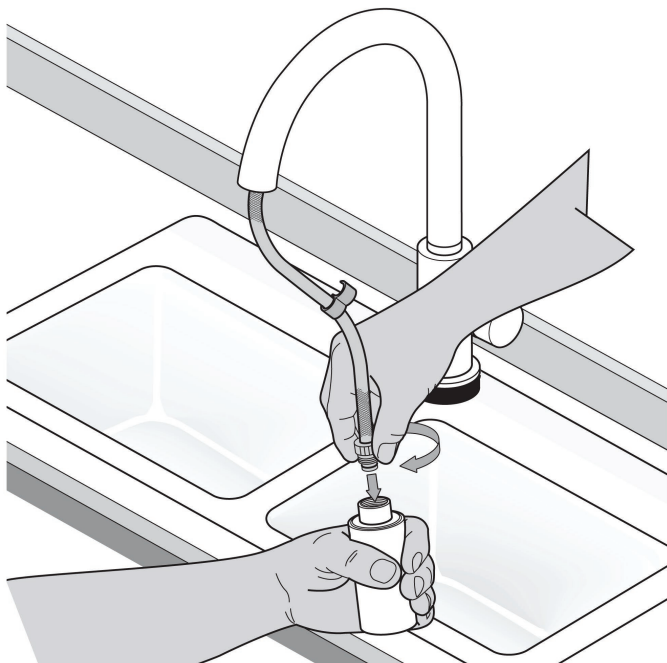
Step 5:



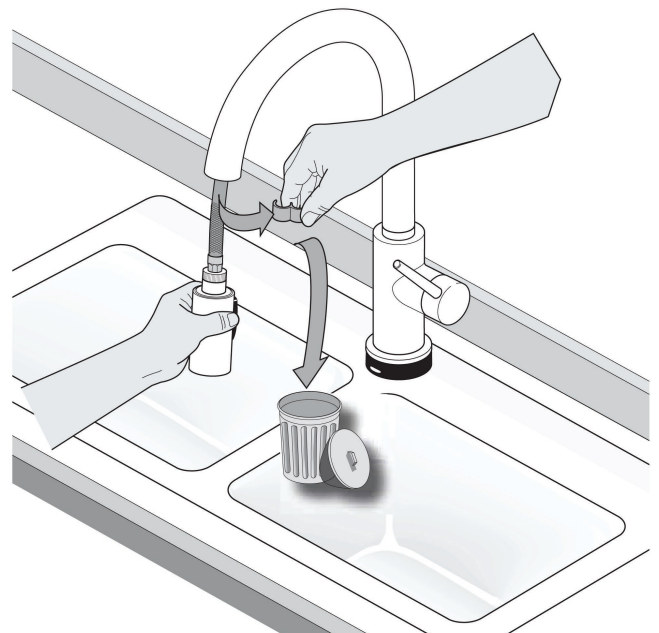
Step 6:



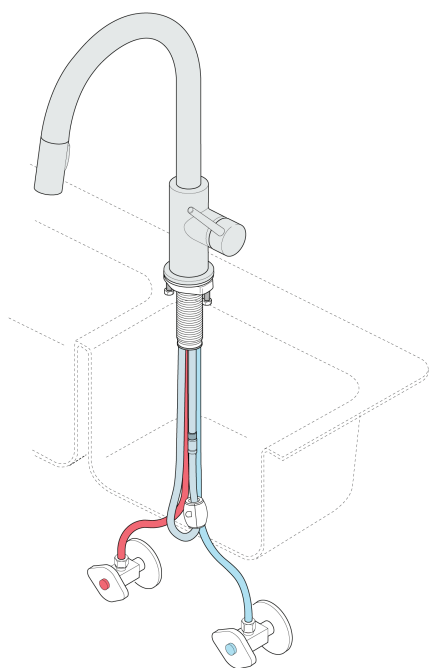
Step 7:



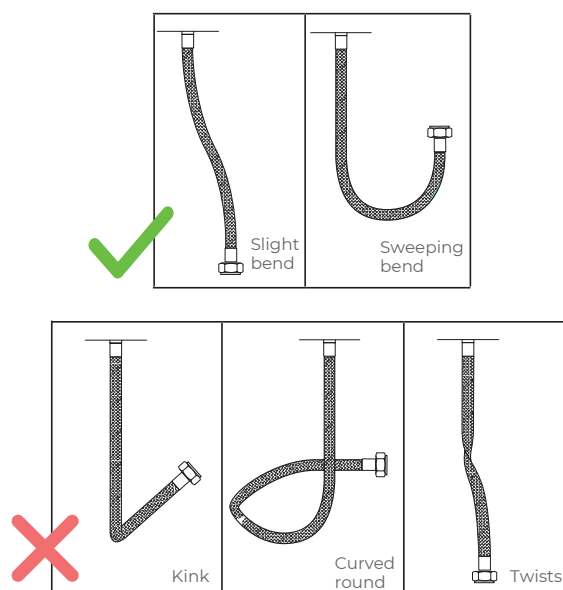
Step 8:



Step 9:



Step 10:



Mount Faucet to Deck

Install gasket into the groove under the faucet base. Insert faucet tubes and shank through the mounting hole in the sink; and, place faucet over the mounting hole.

Secure faucet to sink with washer and mounting nut. Tighten securely by hand. Using a screwdriver, tighten locking screws.

Loop the supply lines, if possible, to avoid having to cut them. Finger tighten both hot & cold sides. Tighten one additional turn with a wrench. Use a second wrench to ensure you do not over tighten the check valves. Repeat for the other side.

Make sure water supplies are closed. Move handle to the full mix position. Place bucket under the faucet outlet tube.

Slowly open both water supply stops to flush lines. This will prevent debris from being lodged in the hose and sprayer.

Close water supplies and faucet valves.

Remove the bucket and dry tube with a soft cloth.

Connect the battery cable to the battery box. Install 4 "AA" batteries into the battery box.

Important: DO NOT install batteries before making all electrical connections.

Note: It is critical for the batteries to be installed in the correct direction in the battery box.

Place the battery pack in a convenient location close to the floor.

Place flat on the floor for best performance and at least 2" from cabinet walls and other objects.

Note: If the battery pack does not reach the floor, place on a non-metallic object at least 2" from cabinet walls.

Turn on water supplies. Turn faucet valve on full and check connections are properly made.

Flexible Connecting Hose

Care must be taken when connecting the flexible connection hose from the power supply box to the spout to ensure it does not bend sharply and kink or twist.

See above for recommended ways to fit the flexible connecting hose.

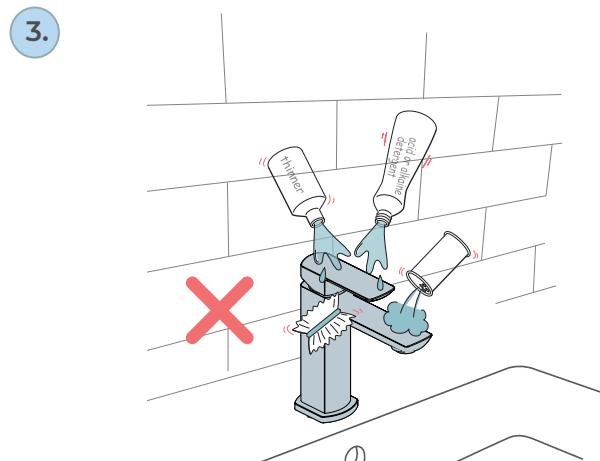
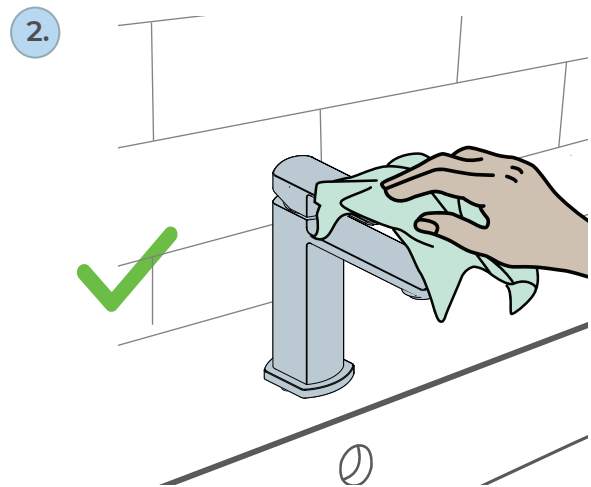
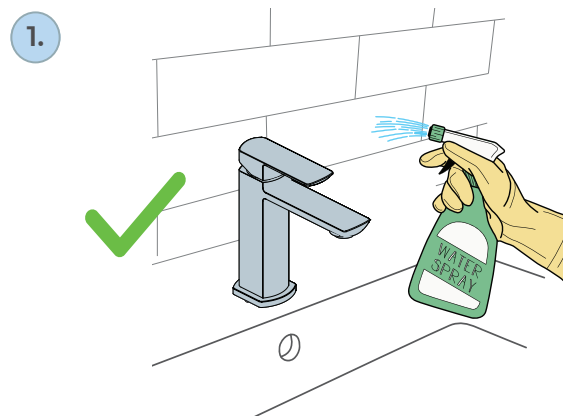
Important: Failure to follow these guidelines may result in poor performance and damage to the flexible connection hose.

Operations

1. The operation is simple! With the handle in the "on" position tap anywhere on the spout, base, or handle.
2. The faucet is able to tell the difference between a touch and a grab. So it won't turn on and off when you don't want it to.
3. Use the handle to control temperature and volume for both manual and electronic operations.
4. Whether you grab the handle or taps it, water will flow. Once water is flowing, a tap will turn it off.
5. Auto Shut-off, the faucet will automatically shut off after running for 4 minutes.
6. Your new faucet will run for up to 2 years on 4 AA batteries.

Care & Cleaning

1. The product can be cleaned with warm water, a mild soap and a clean soft cloth.
2. Clean progressively and gently.
3. It is not required to use any abrasive cleaning pads, wire wool or micro-fibre cloths to clean the product.
4. Avoid a vigorous cleaning action, as this could contribute to denaturing and dulling the finish.
5. Abrasive or strong cleaning products containing ammonia, bleaches, alcohol, dyes, acids (hydrochloric, formic, phosphorus, chlorine or acetic) will be detrimental to the product finish.
6. If using a spray cleaner, apply the cleaning agent onto a soft cloth, never directly spray onto the product as the cleaner may enter gaps and openings and cause damage. Do not allow the cleaner to remain on the product for a period of time. After cleaning, rinse thoroughly with clean water



For more details, visit the product page:

