

FONTANA RAINFALL & MIST SHOWER HEAD SET WITH SHOWER BODY SPRAYS INSTALLATION INSTRUCTIONS



PRIOR TO INSTALLATION

Please read installation instructions below. All plumbing should be installed in accordance with applicable building codes and regulations.

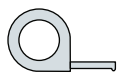
Unpack and inspect the items for any shipping damages. If you find damages, do not install.

All products must be installed by a professional and certified plumber otherwise warranty may be voided.

POSSIBLE TOOLS REQUIRED*



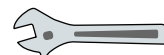
Plumbers Tape



Tape Measure



Level



Adjustable Wrench



Hex Wrench



Thread Sealant



Drill



Pencil or Marker

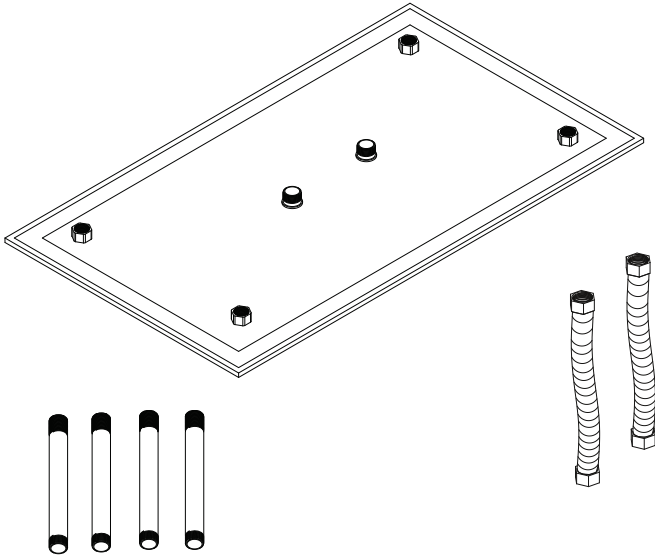


Screwdriver

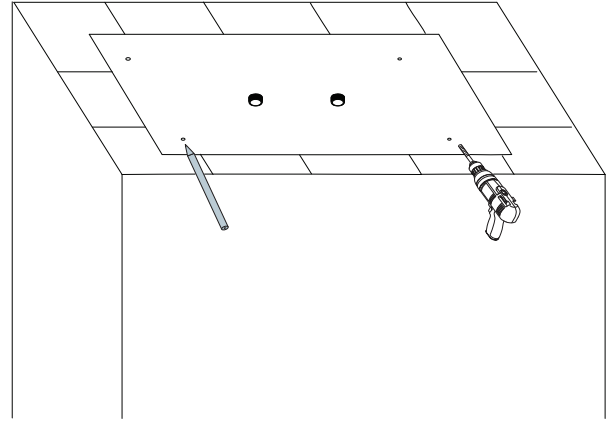
*not included

Shower Head Installations Instruction

Parts:

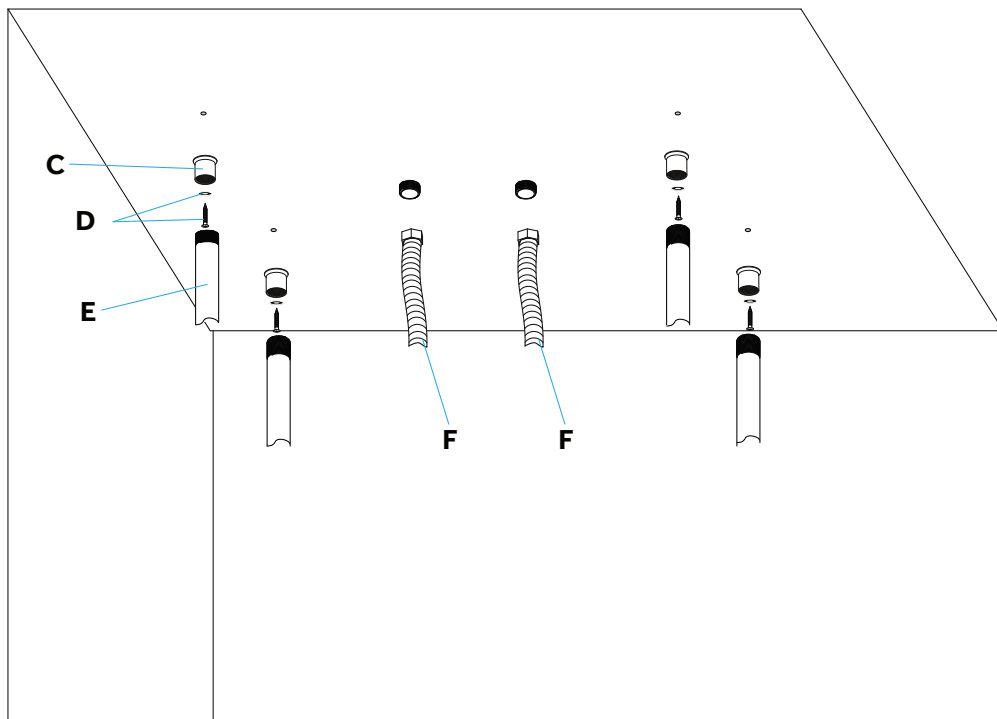


Step 1:



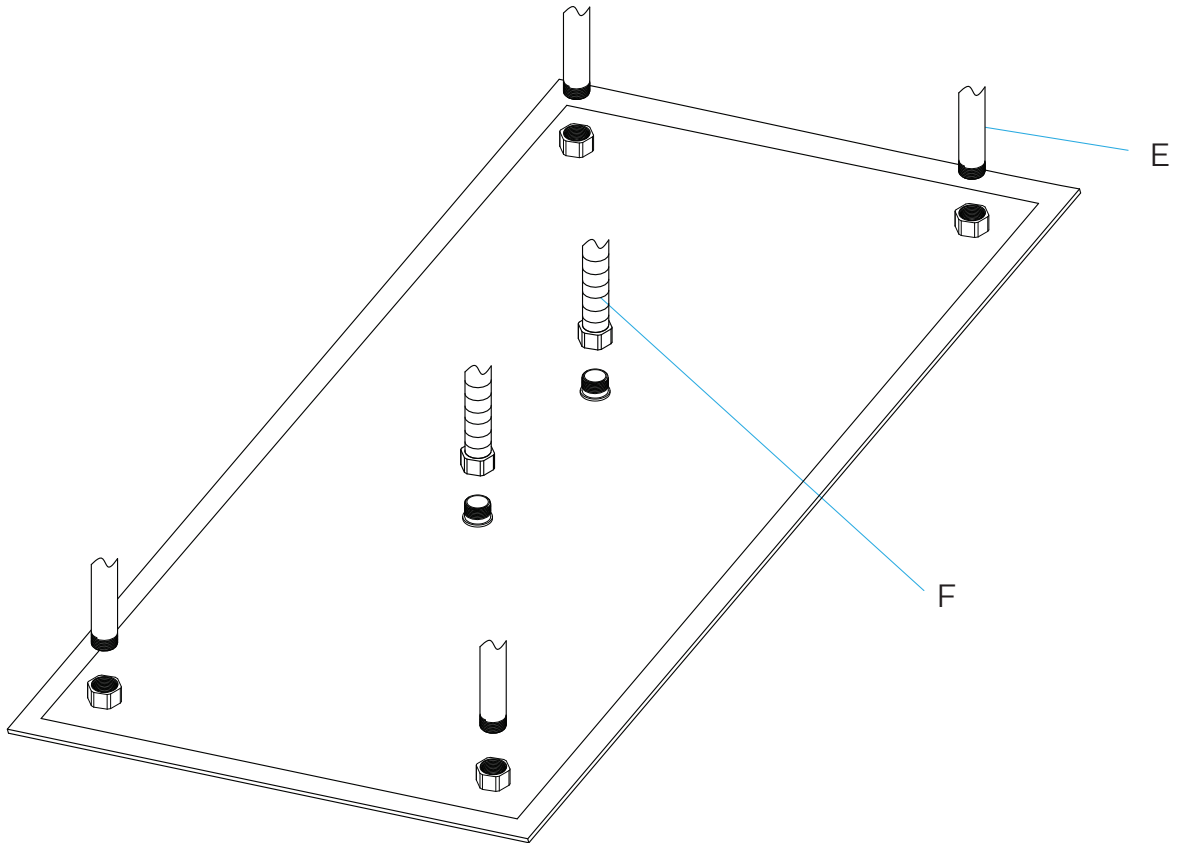
Mark the 4 drilling positions then use the $\text{\O}6\text{mm}$ drill to drill holes on the wall according to the marked hole position.

Step 3:



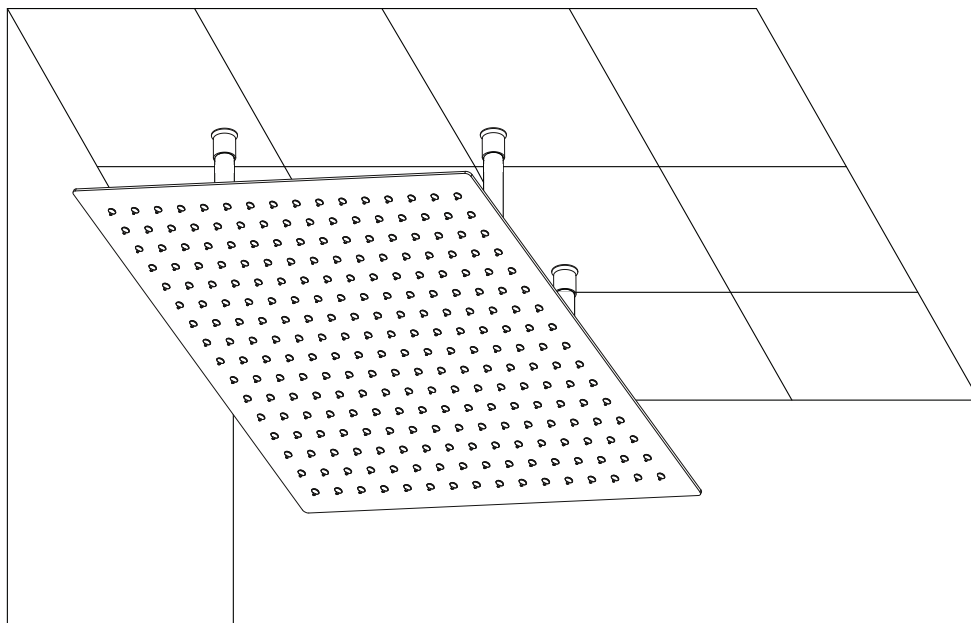
Inset the plug (D) into the hole, hold the fix base (C) use the tapping screw (D) through fix base (C) holes, tighten the tapping screw (D) tighten the top shower fixed bar (E) and the inlet hose (F) with the fix base (C)

Step 5:



Fixed the top shower with the top shower fixed bar (E) , then connect with the inlet hose (F) . 2 Inlets for Rainshower are provided in big shower heads so the water disperses equally throughout the showerhead.

Step 6:

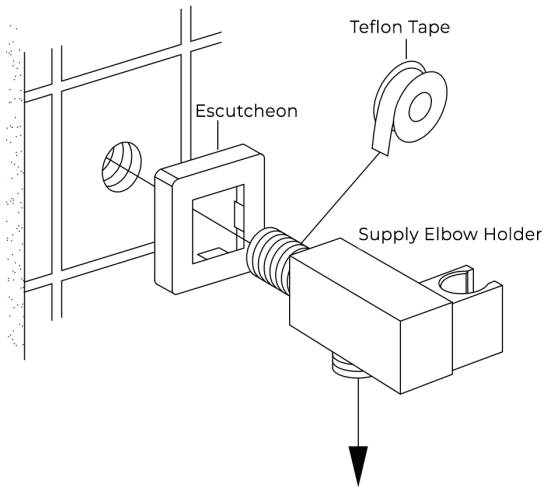


The installation is completed.

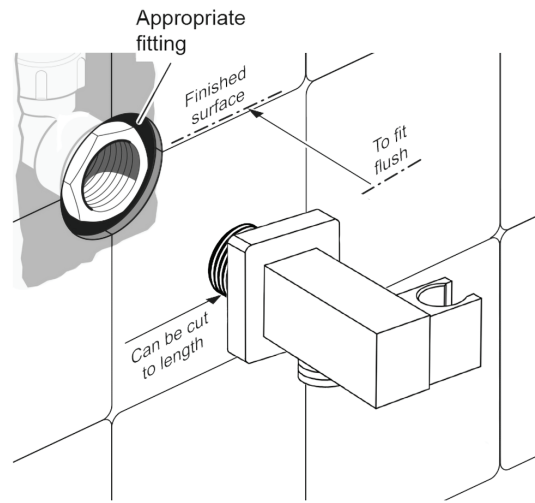
Note: The LED lights are powered by water flow, and will be activated once the water is turned on.

Hand-Held Shower Installations Instructions

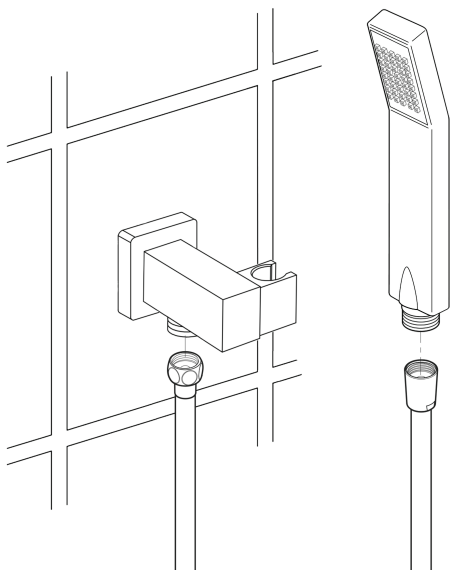
Step 1



Step 2



Step 3



Hand Shower Outlet Installation

• Complete the outlet pipework ensuring it ends in an appropriate 15mm x 1/2" BSP female thread elbow. Note: This fitting is not supplied as variations in installations require the selection of a suitable solder or compression fitting.

• Install the 'Wall Outlet', thread long male 1/2" BSP into the appropriate female fitting using PTFE tape to give a watertight joint.

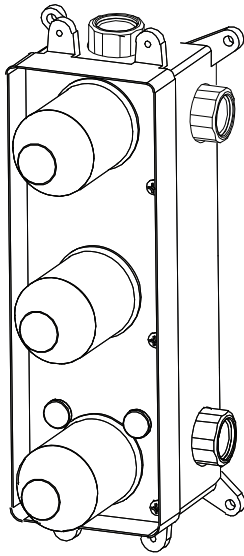
Note: The thread can be cut to size if required. Make sure that all debris is removed from the connector and the section that has been cut is dressed correctly, before installation.

The minimum required water pressure is 0.05 MPa (0.5 bar).

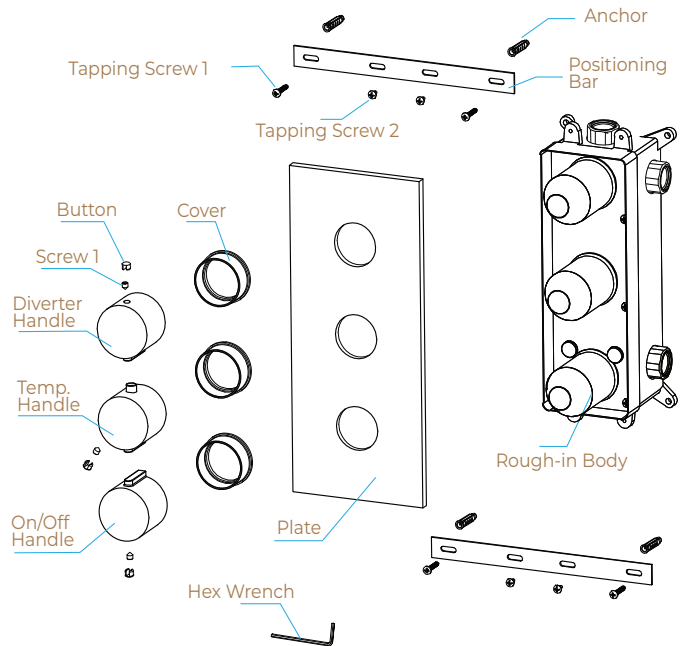
Flow rate 2.5 GPM (9.5 LPM).

Mixer Installations Instructions

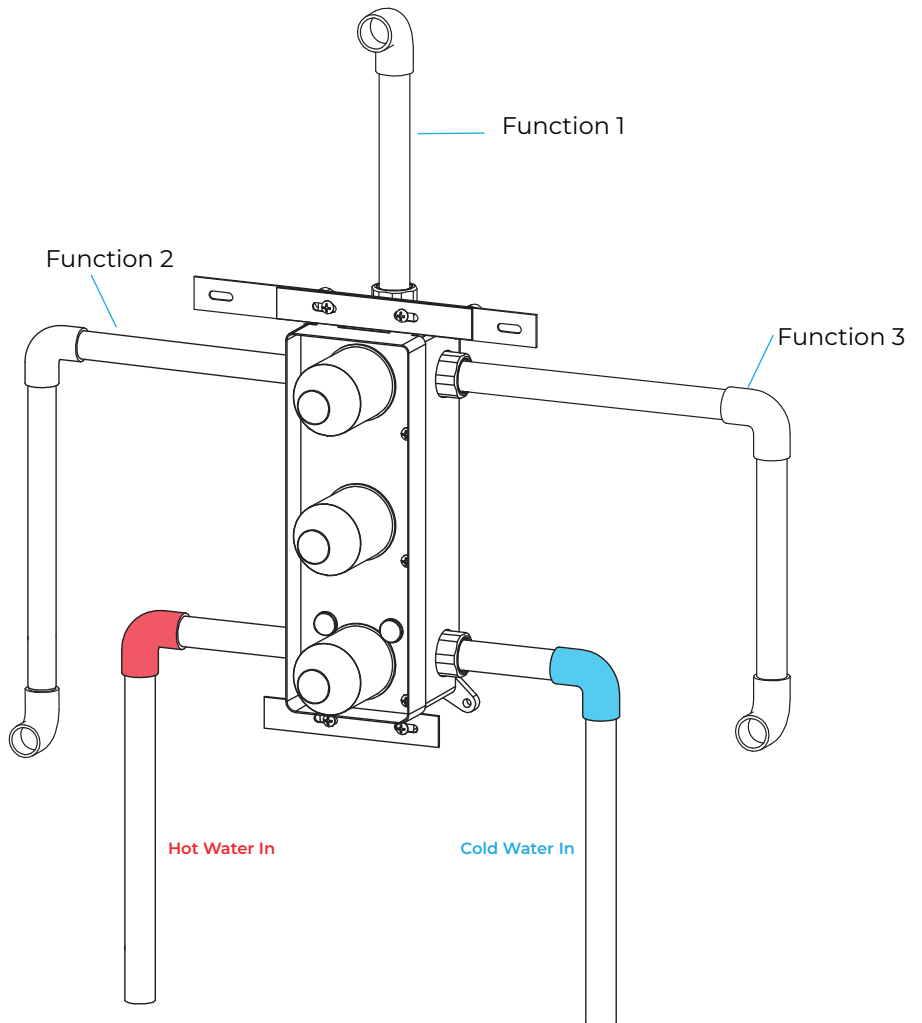
Step 1



Step 2

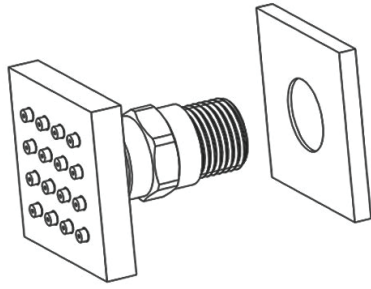


Step 3 (Connection)

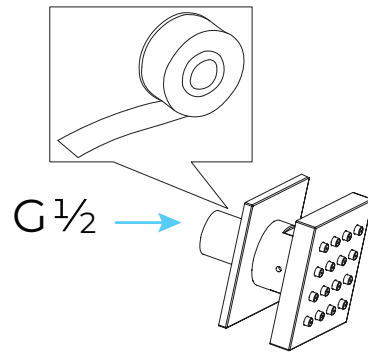


- Hot water
- Cold water

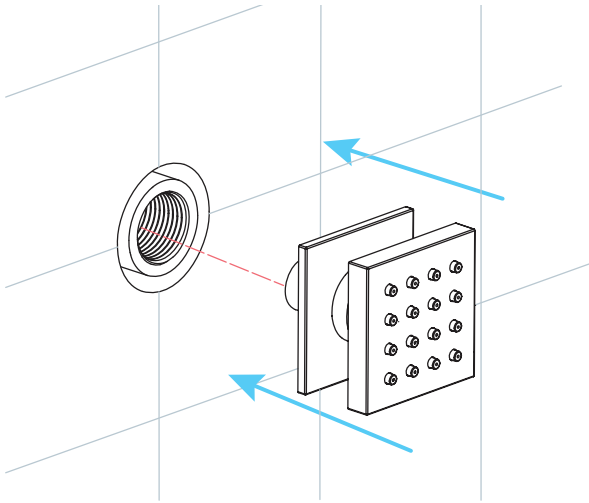
Body Jets Spray Installations Instruction



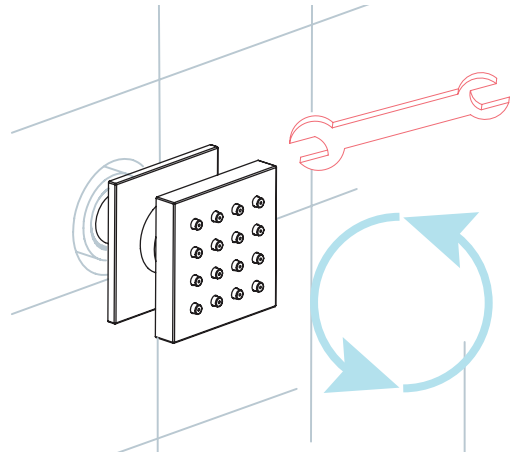
Step 1: Attach the escutcheon to the body spray.



Step 2: Apply teflon tape to threaded tail pipe of the body spray



Step 3: Press the escutcheon against the finished wall

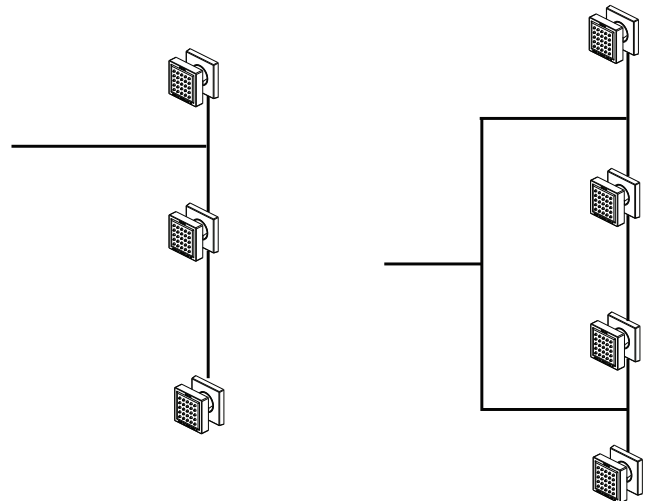


Step 4: Screw the Body spray tightly into the female of water Supply

Pressure Balancing Loop:

. If installing bodysprays in a bank of 3 or fewer, a pressure balancing loop is not necessary.

. If installing bodysprays in a bank of 4 or greater, a pressure balancing loop must be used to keep the pressure even between the bodysprays.



General Information

All products manufactured and supplied by Fontana are safe and comply to legislative requirements. Providing they are installed correctly and receive regular maintenance in accordance with these instructions your user experience will not be affected

Care & Cleaning

1. The product can be cleaned with warm water, a mild soap and a clean soft cloth.
2. Clean progressively and gently.
3. It is not required to use any abrasive cleaning pads, wire wool or cloths to clean the product.
4. Avoid a vigorous cleaning action, as this could contribute to denaturing and dulling
5. Abrasive or strong cleaning products containing ammonia, bleaches, alcohol, dyes, acids (hydrochloric, formic, phosphorus, chlorine or acetic) will be not be affected.
6. If using a spray cleaner, apply the cleaning agent onto a soft cloth, never directly spray onto the product as the cleaner may enter gaps and openings and cause damage. Do not allow the cleaner to remain on the product for a period of time. After cleaning, rinse thoroughly with clean water.

