

FONTANA OIL RUBBED BRONZE 4-WAY LED LUXURY STYLE SHOWER HEAD WITH HAND-HELD SHOWER INSTALLATION INSTRUCTIONS



BEFORE YOU BEGIN

Before you begin, please read the installation instructions below. Observe all local building and safety codes.

Unpack and inspect the items for any shipping damages. If you find damages, do not install.

Please note all products must be installed by a professional and certified plumber otherwise warranty might be voided.

POSSIBLE TOOLS REQUIRED*



Plumbers Tape



Tape Measure



Level



Adjustable Wrench



Hex Wrench



Thread Sealant



Drill



Pencil or Marker

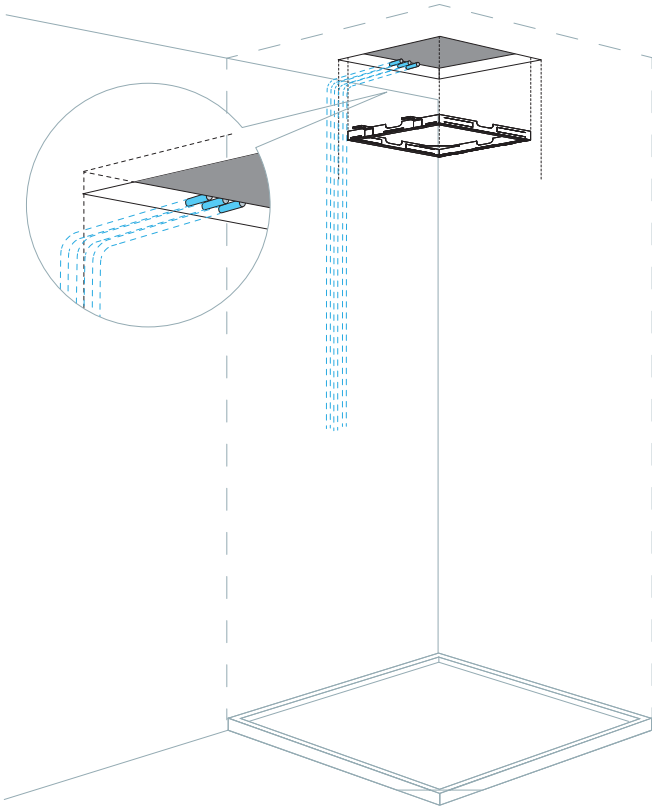


Screwdriver

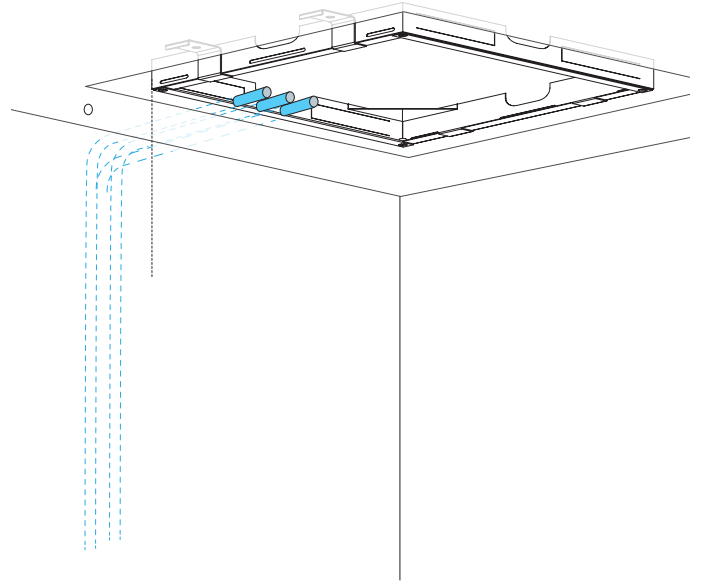
*not included

Shower Head Installations Instruction

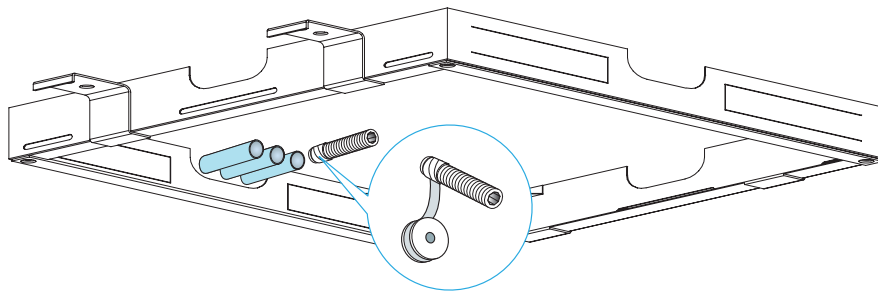
Step 1:



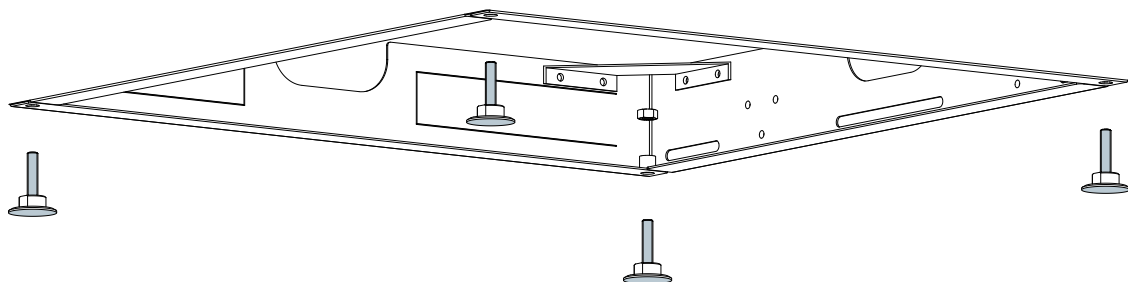
Step 2:



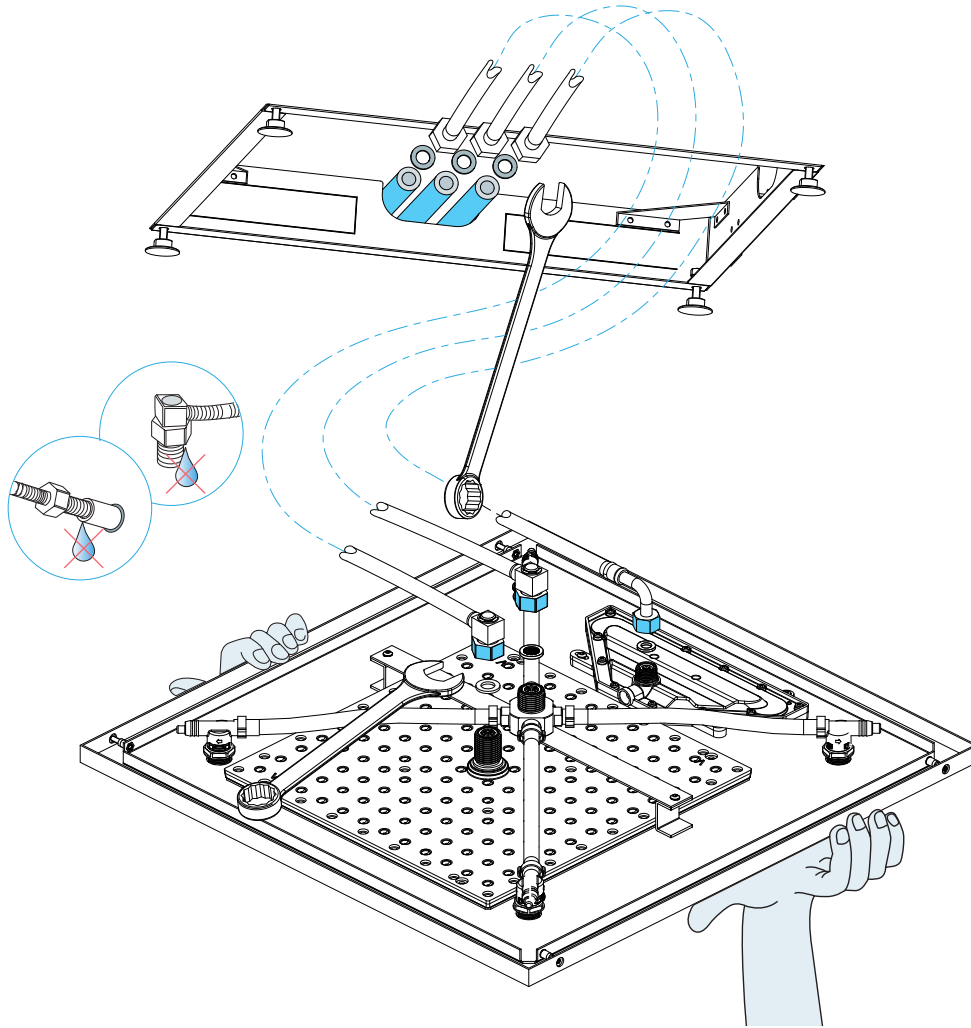
Step 3:



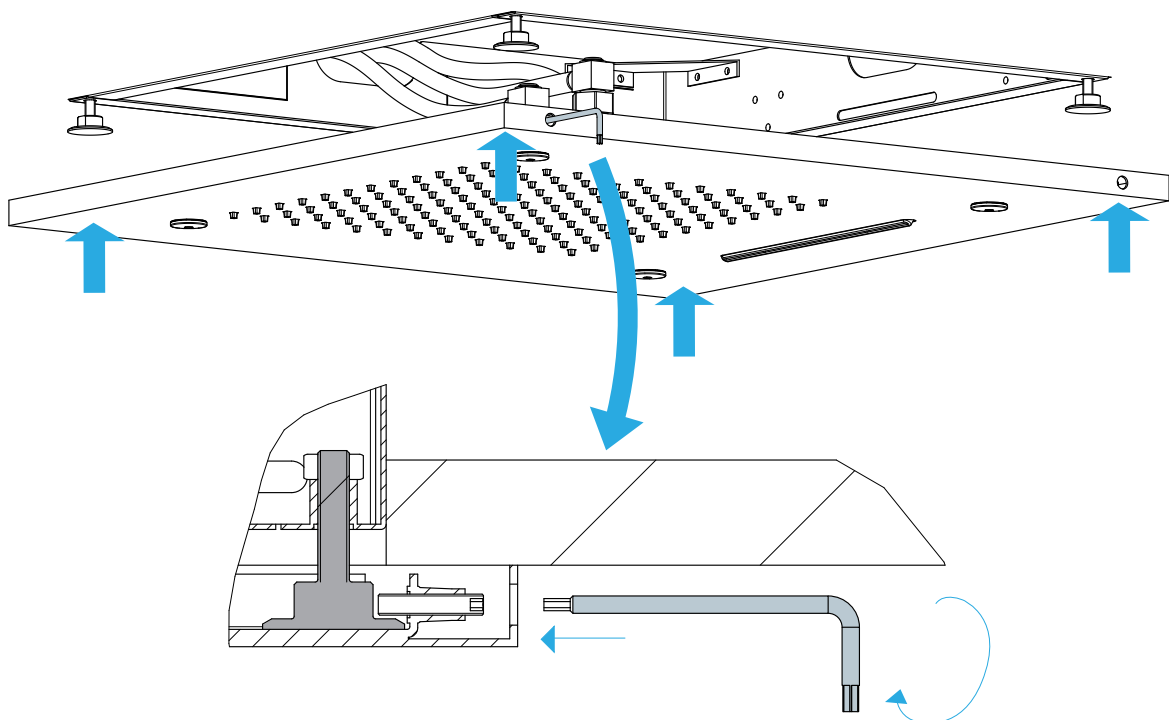
Step 4:



Step 5:

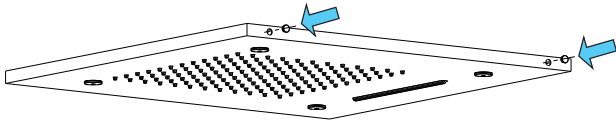


Step 6:

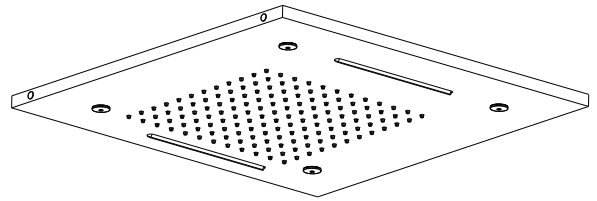


Fontana Showers®

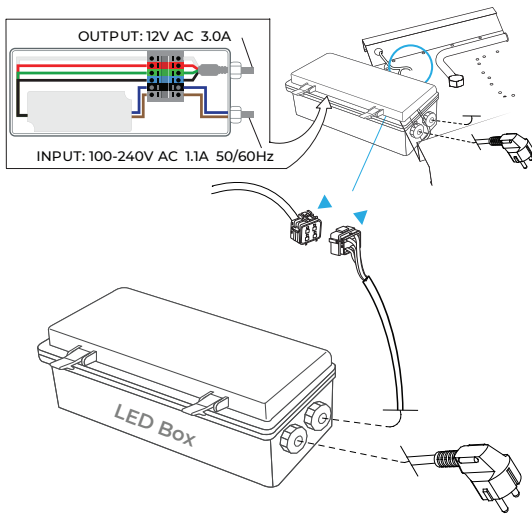
Step 7:



Step 8:



Step 9:



Step 10:





Phone control color

Kinds of color **64**
temperature adjustable

Color software App install Instruction
Download name:LedHome

IOS:<https://itunes.apple.com/cn/app/ledhome/id105692mt=81921?>
Android:http://zhushou.360.cn/detail/index/soft_id/3156463

QR Code   **WiFi**
Built-in WiFi



Kinds of color **64**
temperature adjustable

1: Remote control color



- 1: Turn ON/OFF
- 2: Color Touch Ring
- 5: Mode Switch
- 4/8: Dynamic Speed adjusting
- 3/6: Color Temperature adjusting
- 7/9: Dynamic Brightness adjusting



Kinds of color **64**
temperature adjustable

WiFi




Built-in WiFi

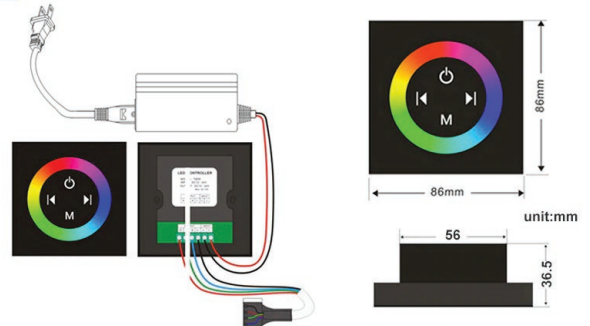
2: Phone control color

Color software App install instruction
download name: LED Home



1.Touch panel there are 4 buttons and a pulley key ,the functions are as follows :

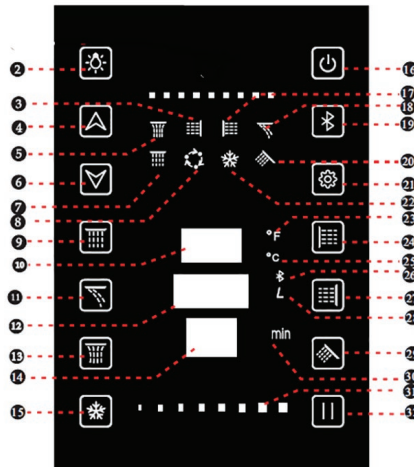
-  You could turn on/off controller at any state;
-  Mode key,you can choose a different kind of color change,total 11 kinds of change patterns.
-  It is used for increasing/ reducing the output signal brightness of speed.



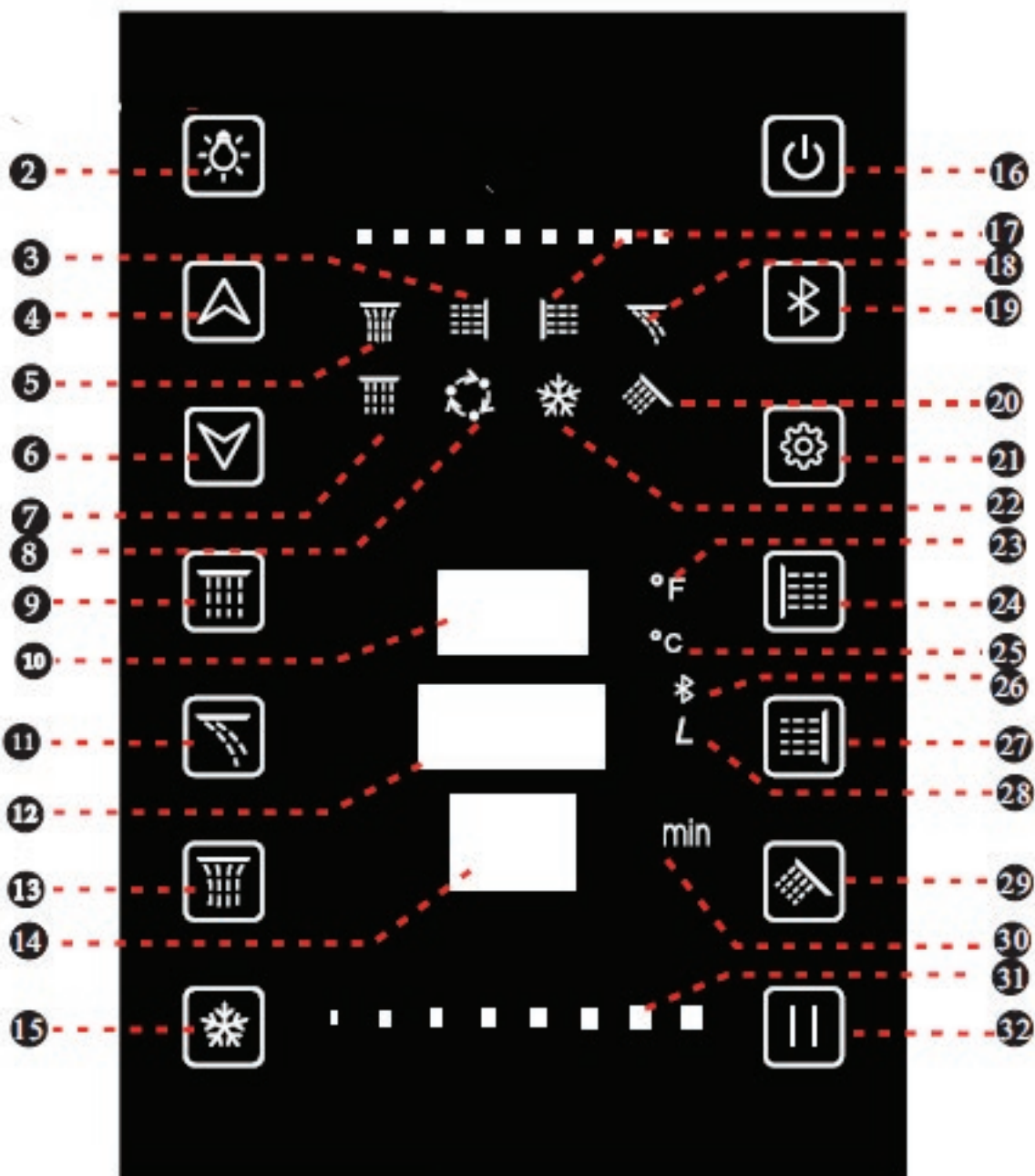
Typical Application

Remark:Need 86 bottom box use it together
The product not include the 86 bottom box

Safety Tips: The control panel do not touch water directly.



Shower System Installation Instructions



- 2. Chroma light
- 3. Right shower
- 4. Increase key
- 5. Top shower icon
- 6. Decrease key
- 7. Head shower icon
- 8. Chroma light icon
- 9. Top shower-rain shower
- 10. Water TEMP display
- 11. Body jet 21.setting
- 12. Bluetooth/flow screen
- 13. Top shower

- 14. Working time display
- 15. Cold water
- 16. Power on/off
- 17. Left spray icon
- 18. Body jet icon
- 19. Bluetooth music
- 20. Hand shower icon
- 22. Cold water
- 23. Fahrenheit
- 24. Left shower
- 25. Celsius
- 26. bluetooth icon

- 27. right shower
- 28. water flow icon
- 29. hand shower
- 30. minute icon
- 31. volume increase
- 32. Shower pause

Fontana Showers®

- Easy to use

Easy to adjust the water TEMP & flow.

- Smart & Thermostat

Keep the outlet water temperature thermostat, the TEMP accuracy within $\pm 1^{\circ}\text{C}$.

- Precise TEMP: Accurate water outlet temperature, TEMP accuracy is $\pm 1^{\circ}\text{C}$.

- Safety, no harm from Scald

When the cold water suddenly cut off or the water TEMP over 50°C by other reasons, the system will shutoff the water outlet, let you no harm from scald.

- Dual power supply system, more safety and reliable

- Prevent the water backflow

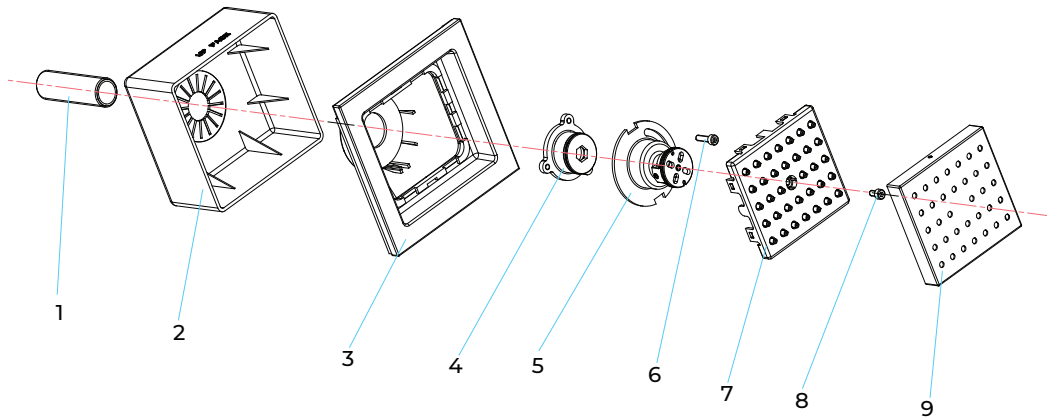
The inlet of hot and cold water adopt a special design, can effectively to prevent the water backflow when the hot and cold water have pressure difference.

- CE approved

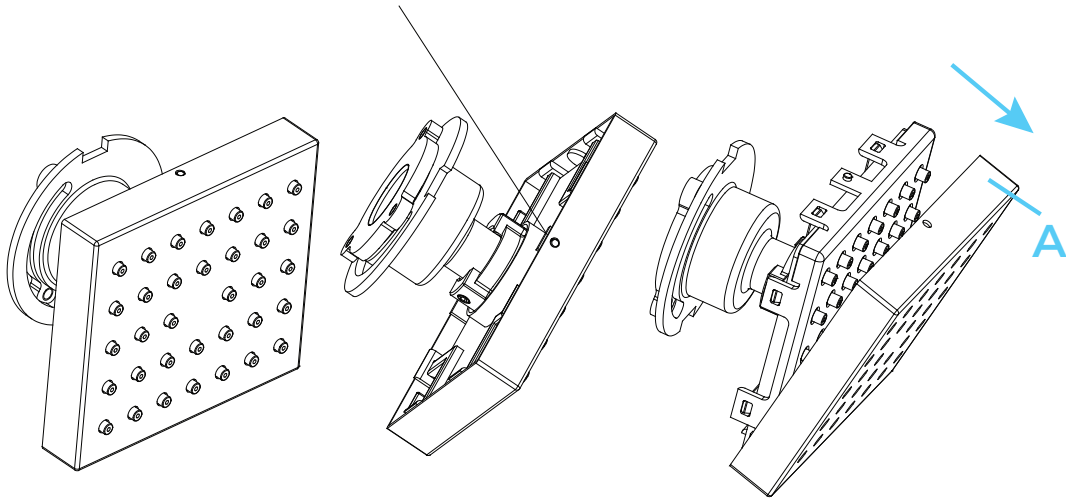
- Easy installation



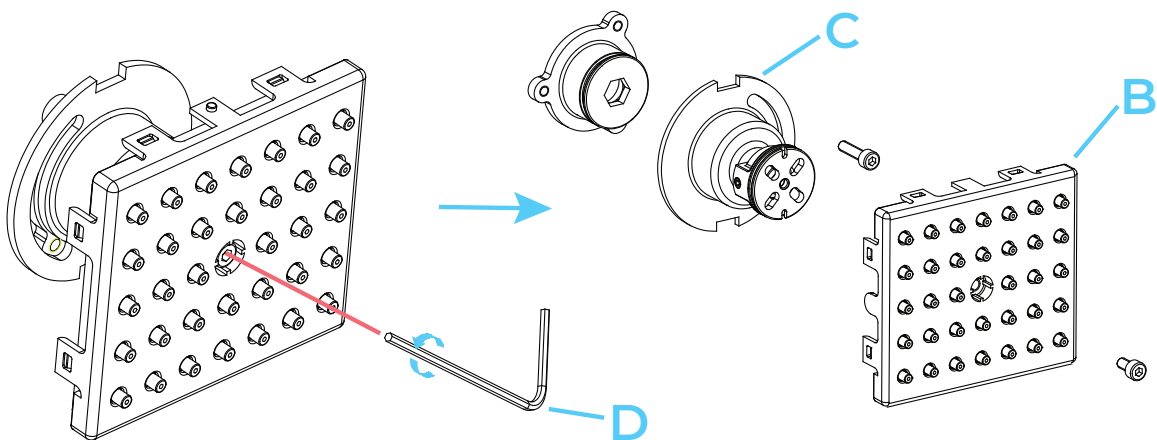
Square Body Jets Spray Installations Instruction



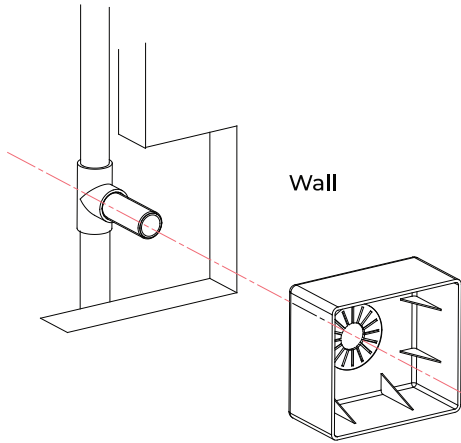
Parts : 1.Pipe, 2.Plastic box, 3.Decorative plate, 4.Connector, 5.Body, 6.Bolt #6, 7.Outlet face, 8.Bolt #8
9.Outlet face



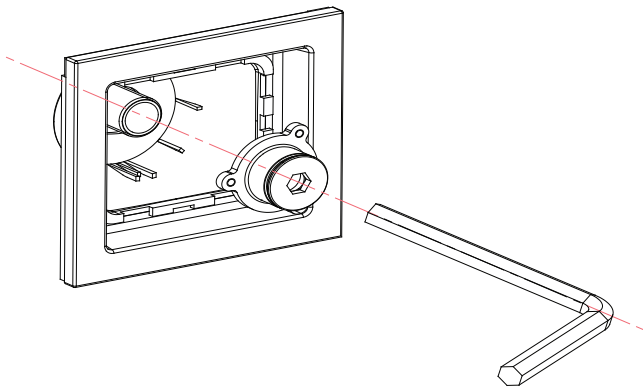
Step 1: Remove the decorative plate out of the body



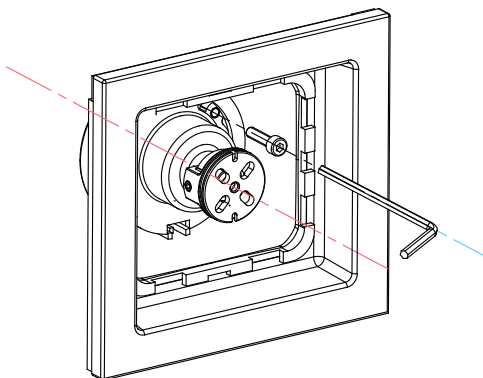
Step 2: Remove the screws from the outlet face (B) and connector body (C) with the Allen key (D).



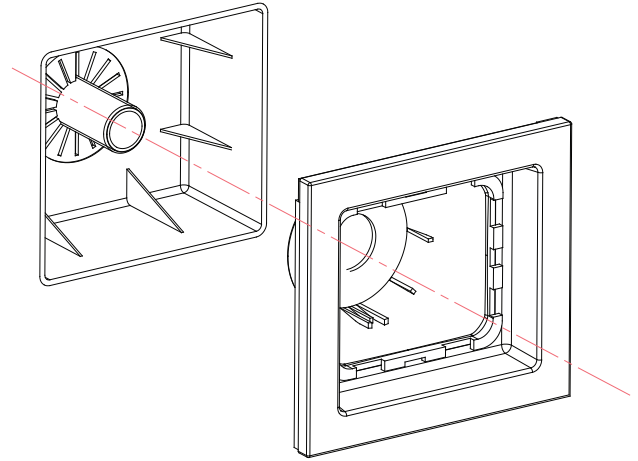
Step 3: Push the plastic box into the wall
IMPORTANT: Please make sure the "UP FACE" marking is in the top position



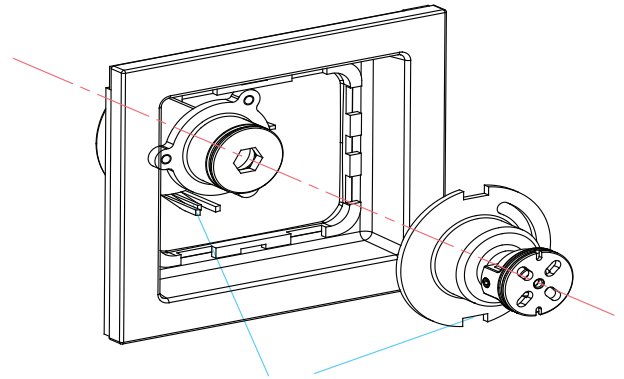
Step 5: Screw the connector into the pipe with H10 wrench



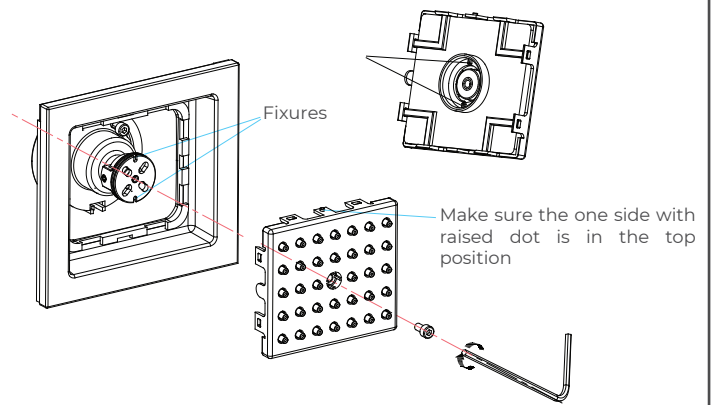
Step 7: Screw the bolt #6 into the body. Make sure the body and the connector are tight. The decorative plate should now be secure and will not move



Step 4: Install the decorative plate assembly into the plastic box. Make sure the position is correct

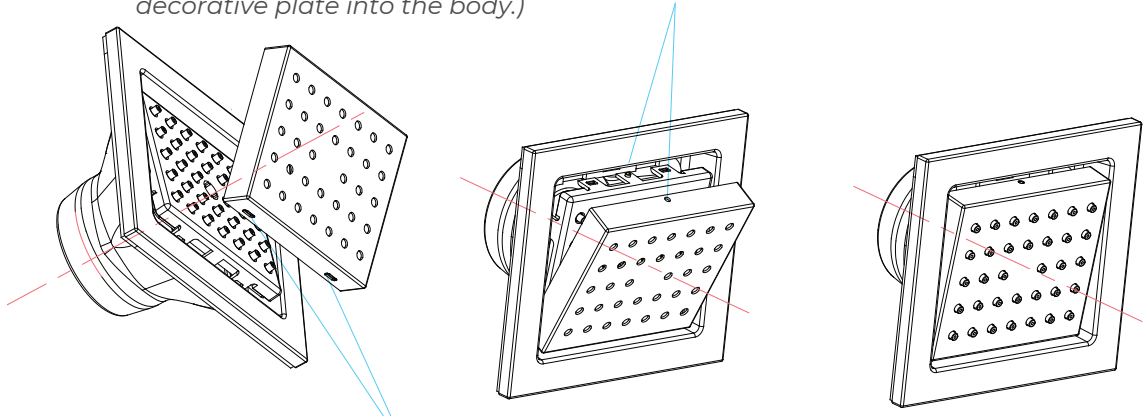


Step 6: Install the body assembly to the connector



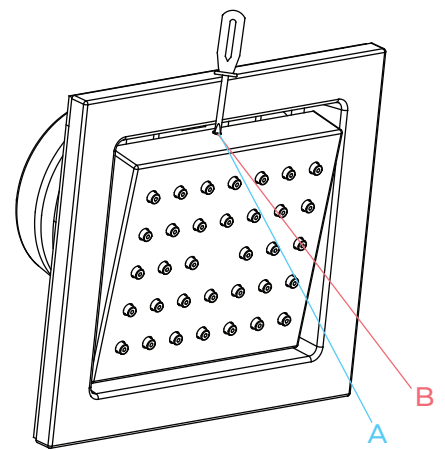
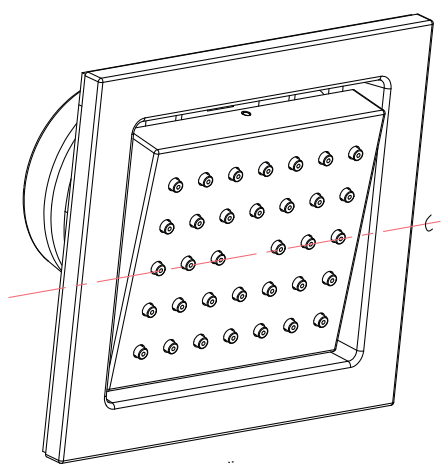
Step 8: Install the outlet face assembly to the body. Make sure the outlet face is fully seated onto the body. Screw the bolt #8 through the outlet face into the body (*Do not over tighten*)

(Make sure the hole and the raised dot are in the correct position when you push the decorative plate into the body.)



(This side is in the bottom position when push the decorative plate into the body first.)

Step 9: Screw the outlet face a little angled. Make the decorative plate have a little angle too when push it into the body. Adjust the outlet face when push the decorative plate in order to put it out of the decorative plate



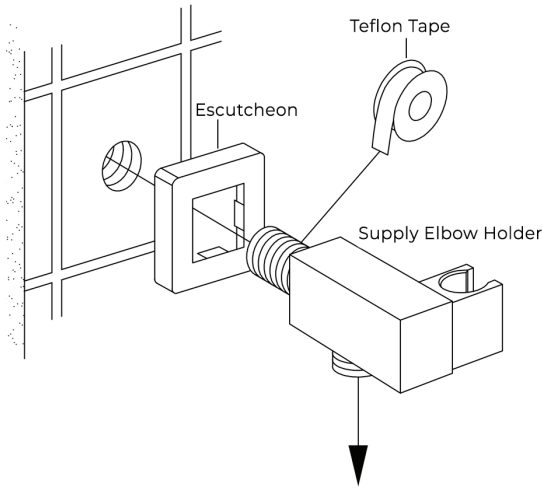
Step 10: Products can adjust to the angle positions as shown below: face when push the decorative plate in order to put it out of the decorative plate

Step 11: Do not use abrasive sponges or microfiber cloths, corrosive cleansers, solvents or acids. We recommend that you do not use any anti-lime scale products or cleaners containing vinegar and acetic acid. Chemical cleaning agents may damage the product. Clean products using only mild soap or a wet cloth

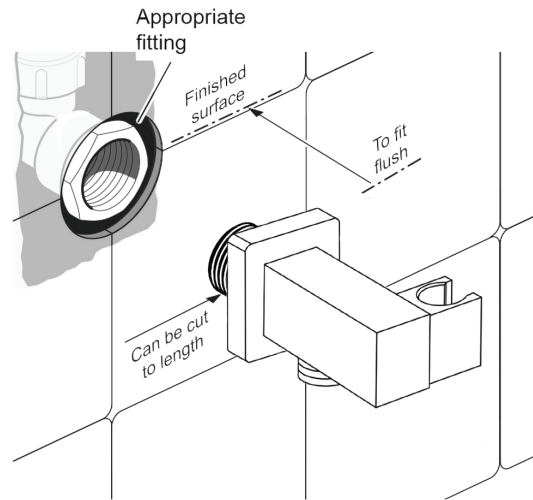
- A> Protect the decorative plate coating when remove it.
- B> Use screwdriver to remove

Hand-Held Shower Installations Instructions

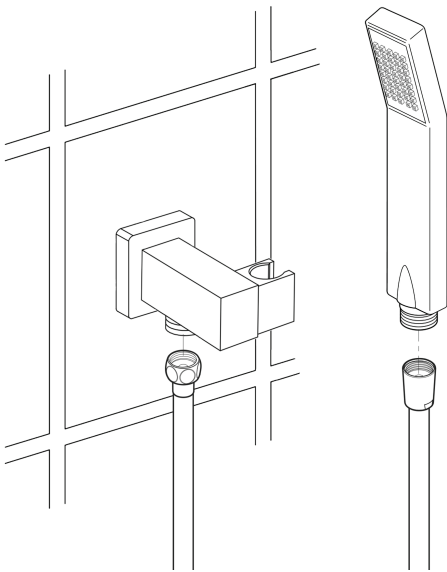
Step 1



Step 2



Step 3



Hand Shower Outlet Installation

• Complete the outlet pipework ensuring it ends in an appropriate 15mm x 1/2" BSP female thread elbow. Note: This fitting is not supplied as variations in installations require the selection of a suitable solder or compression fitting.

• Install the 'Wall Outlet', thread long male 1/2" BSP into the appropriate female fitting using PTFE tape to give a watertight joint.

Note: The thread can be cut to size if required. Make sure that all debris is removed from the connector and the section that has been cut is dressed correctly, before installation.

The minimum required water pressure is 0.05 MPa (0.5 bar).

Flow rate 2.5 GPM (9.5 LPM).

General Information

All products manufactured and supplied by Fontana are safe and comply to legislative requirements. Providing they are installed correctly and receive regular maintenance in accordance with these instructions your user experience will not be affected

Care & Cleaning

1. The product can be cleaned with warm water, a mild soap and a clean soft cloth.
2. Clean progressively and gently.
3. It is not required to use any abrasive cleaning pads, wire wool or cloths to clean the product.
4. Avoid a vigorous cleaning action, as this could contribute to denaturing and dulling
5. Abrasive or strong cleaning products containing ammonia, bleaches, alcohol, dyes, acids (hydrochloric, formic, phosphorus, chlorine or acetic) will be not be affected.
6. If using a spray cleaner, apply the cleaning agent onto a soft cloth, never directly spray onto the product as the cleaner may enter gaps and openings and cause damage. Do not allow the cleaner to remain on the product for a period of time. After cleaning, rinse thoroughly with clean water.

